

EM converterLED BASIC NiCd 250 V Kit

BASIC version

New



Product description

- _ Kit with emergency lighting LED Driver, battery for 3 h duration and indication LED
- _ For self-contained emergency lighting
- _ For LED modules with a forward voltage of 50 – 250 V
- _ Low profile casing (21 x 30 mm cross-section)
- _ For luminaire installation
- _ 5-year guarantee

Properties

- _ Non maintained operation
- _ 3 h rated duration
- _ Compatible with all dimmable and non-dimmable constant current LED Driver (see data sheet, LED Driver compatibility)
- _ 3-pole technology: 2-pole LED module changeover and delayed power switching for the LED Driver
- _ Automatic shutdown of output if LED load is out of range
- _ Constant power output
- _ Maximum light output for all LED modules
- _ Electronic charge system
- _ Deep discharge protection
- _ Short-circuit-proof battery connection
- _ Polarity reversal protection for battery

Batteries

- _ High-temperature cells
- _ NiCd batteries
- _ D cells
- _ 4-year design life
- _ 1-year guarantee

Website

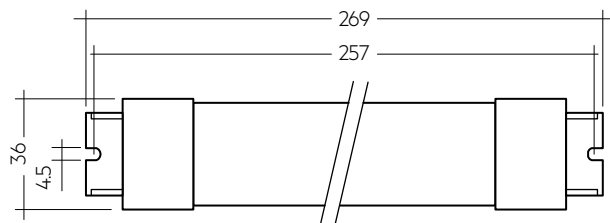
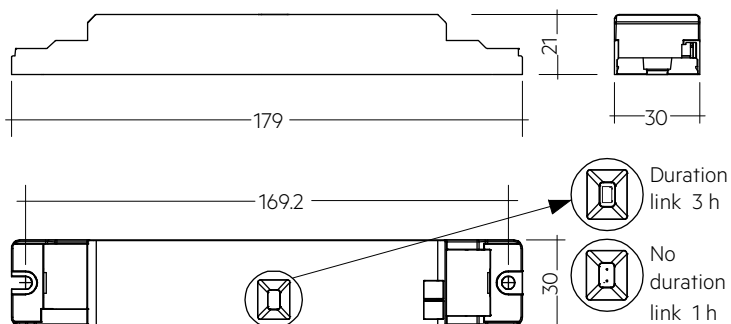
<http://www.tridonic.com/89800679>



EM converterLED BASIC NiCd 250 V Kit

BASIC version

The complete data sheet for this product is available in the Downloads section.

**Ordering data**

Type	Article number	Packaging, carton	Packaging, pallet	Weight per pc.
EM converterLED BASIC 204 NiCd 250V KIT	89800679	25 pc(s).	300 pc(s).	0.685 kg

Technical data

Rated supply voltage	220 – 240 V
Mains frequency	50 / 60 Hz
Typ. λ (at 230 V, 50 Hz)	0.65C
Forward voltage range LED module EM converterLED 204 250V	50 – 250 V
Output current	See data sheet
Starting time	< 0.25 s from detection of emergency event
Overvoltage protection	320 V (for 48 h)
U-OUT EM converterLED 204 250V	280 V
Battery charging time ^①	24 h
Ambient temperature t_a	-5 ... +55 °C
Max. casing temperature t_c	75 °C
Mains voltage changeover threshold	According to EN 60598-2-22
Type of protection	IP20
Dimensions L x W x H	179 x 30 x 21 mm

① 16 h battery charging time for 2 h emergency lighting function according to AS 2293.