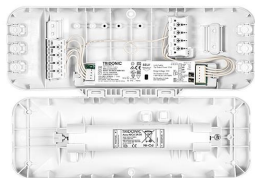


EM converterPACK BASIC NiCd/LiFePO4 50 V

BASIC version



Product description

- _ Remote pack for luminaire conversion
- _ Pre wired EM converterLED and battery contained
- _ For LED modules with a forward voltage of 10 – 54 V
- _ SELV for output voltage < 60 V DC
- _ Ideal for ceiling openings of diameter \geq 150 mm and for mounting depths \geq 100 mm
- _ Nominal life-time up to 100,000 h
- _ 5-year guarantee

Properties

- _ Non maintained operation
- _ 3 h rated duration
- _ Compatible with all dimmable and non-dimmable constant current LED Driver (see data sheet, LED Driver compatibility)
- _ 3-pole technology: 2-pole LED module changeover and delayed power switching for the LED Driver
- _ Automatic shutdown of output if LED load is out of range
- _ Constant output voltage
- _ Electronic charge system
- _ Deep discharge protection
- _ Short-circuit-proof battery connection
- _ Strain relief and terminals included

Batteries

- _ High-temperature cells
- _ NiCd or LiFePO4 batteries
- _ 4-year design life for NiCd batteries
- _ 1-year guarantee for NiCd batteries
- _ 4 – 8 years design life for LiFePO4 batteries
- _ 3-year guarantee for LiFePO4 batteries

Website

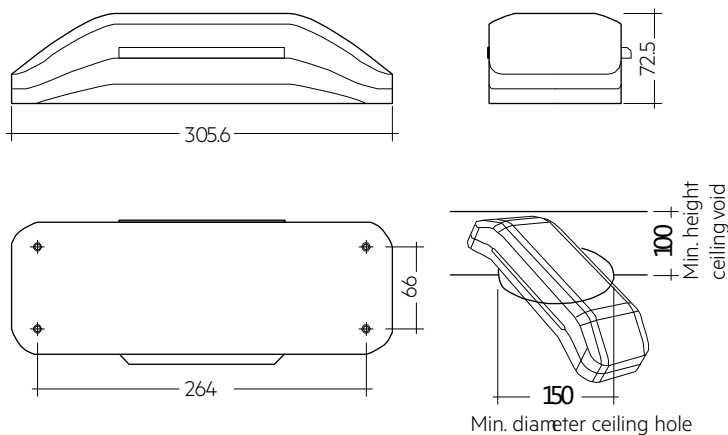
<http://www.tridonic.com/89800707>



EM converterPACK BASIC NiCd/LiFePO4 50 V

BASIC version

The complete data sheet for this product is available in the Downloads section.

**Ordering data**

Type	Article number	Rated duration	Number of cells	Packaging, carton	Packaging, pallet	Weight per pc.	Dimensions L x W x H
EM converterPACK BASIC 232A LiFePO4 50V	89800707	3 h	3	1 pc(s).	126 pc(s).	0.57 kg	305.6 x 115.3 x 72.5 mm

Technical data

Rated supply voltage	220 – 240 V
Mains frequency	50 / 60 Hz
Typ. λ (at 230 V, 50 Hz)	0.6C
Forward voltage range LED module	10 – 54 V
Output current	see EM converterLED BASIC data sheet
Starting time	< 0.25 s from detection of emergency event
Overvoltage protection	320 V (for 48 h)
U-OUT (including open- / short-circuit and double load)	60 V
Max. open circuit voltage	60 V
Battery charging time	24 h
Ambient temperature t_a	5 ... +45 °C
Max. casing temperature t_c	75 °C
Mains voltage changeover threshold	According to EN 60598-2-22
Mains surge capability (between L - N)	1 kV
Mains surge capability (between L/N - PE)	2 kV
Type of protection	IP20
Life-time	up to 100,000 h
Dimensions L x W x H	305.6 x 115.3 x 72.5 mm