

Driver LCU 60W 12/24V IP20 EXC

excite indoor IP20 series

**Product description**

- _ Constant voltage LED Driver
- _ Universal input voltage range
- _ Constant output voltage
- _ Push terminals for simple wiring
- _ Nominal life-time up to 50,000 h (at t_a 45 °C with a failure rate \leq 0.2 % per 1,000 h)
- _ 5-year guarantee
- _ Suitable for emergency escape lighting systems acc. to EN 50172
- _ Complies with CLASS C from minimum to maximum load range according to EN 61000-3-2

Properties

- _ Small design
- _ High efficiency
- _ Low power loss
- _ Overtemperature and overload protection
- _ Short-circuit shutdown feature with automatic restart
- _ Protection class II, SELV
- _ Type of protection IP20
- _ Plastic casing white

Website

<http://www.tridonic.com/28000412>



Spotlights



Downlights



Linear



Area



Floor | Wall



Free-standing



Street



Decorative

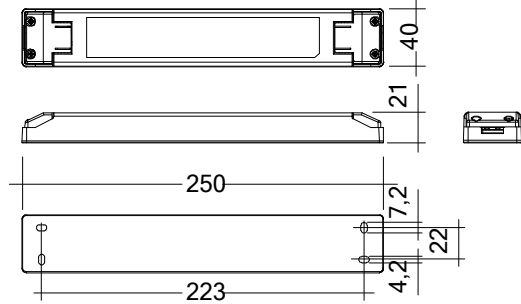


High bay

Driver LCU 60W 12/24V IP20 EXC

excite indoor IP20 series

The complete data sheet for this product is available in the Downloads section.

**Ordering data**

Type	Article number	Packaging, carton	Packaging, pallet	Weight per pc.
LCU 60W 24V TOP SR	28000412	20 pc(s).	1,500 pc(s).	0,28 kg

Technical data

Rated supply voltage	100 – 277 V
AC voltage range	90 – 305 V
DC voltage range	176 – 288 V
Rated current 12 V (at 120 V, 60 Hz, full load)	0.59 A
Rated current 12 V (at 230 V, 50 Hz, full load)	0.32 A
Rated current 12 V (at 277 V, 60 Hz, full load)	0.26 A
Rated current 24 V (at 120 V, 60 Hz, full load)	0.58 A
Rated current 24 V (at 230 V, 50 Hz, full load)	0.32 A
Rated current 24 V (at 277 V, 60 Hz, full load)	0.26 A
Mains frequency	0 / 50 / 60 Hz
Efficiency 12 V (at 120 V, 60 Hz, full load)	> 87 %
Efficiency 12 V (at 230 V, 50 Hz, full load)	> 85 %
Efficiency 12 V (at 277 V, 60 Hz, full load)	> 87 %
Efficiency 24 V (at 120 V, 60 Hz, full load)	> 89 %
Efficiency 24 V (at 230 V, 50 Hz, full load)	> 85 %
Efficiency 24 V (at 277 V, 60 Hz, full load)	> 89 %
λ 12 V (at 120 V, 60 Hz, full load)	0.99C
λ 12 V (at 230 V, 50 Hz, full load)	0.95C
λ 12 V (at 277 V, 60 Hz, full load)	0.96C
λ 24 V (at 120 V, 60 Hz, full load)	0.99C
λ 24 V (at 230 V, 50 Hz, full load)	0.95C
λ 24 V (at 277 V, 60 Hz, full load)	0.96C
Max. input power in no-load operation	0.5 W
Output voltage tolerance 12 V	-0 / +10 %
Output voltage tolerance 24 V	-0 / +5 %
Output power (ta ≤ 50 °C)	60 W
Output power (ta > 50 °C)	42 W
Output power range	4.8 – 60 W
Starting time (output)	≤ 0.5 s
Turn off time (output)	≤ 1 s
Hold on time at power failure (output)	10 ms
Mains surge capability (between L - N)	1 kV
Mains surge capability (between L/N - PE)	1 kV
Surge voltage at output side (against PE)	< 500 V
Ambient temperature ta	-25 ... +60 °C
Ambient temperature ta (at life-time 50,000 h) ^①	-25 ... +45 °C
Storage temperature ts	-40 ... +85 °C
Dimensions L x W x H	250 x 40 x 21 mm
Hole spacing D	223 mm

Approval marks

IP20 SELV Class 2              RoHS

Standards

EN 55015, EN 60598-1, EN 60598-2-22, EN 61000-3-2, EN 61000-3-3, EN 61347-1, EN 61347-2-13, EN 61547, EN 62384, EN 62493

Specific technical data

Type	Max. casing temperature t _c	Output voltage	Max. input power	Output current range
LCU 60W 24V TOP SR	85 °C	24 V	74 W	0.2 – 2.5 A

^① For input voltage from 120 to 277 V AC (50 / 60 Hz) with 100 % load. For input voltage from 100 to 120 V AC (50 / 60 Hz) with 80 % load.